

TopSolid

Cam



Amazing calculation times with TopSolid'Cam 2010

- Excellent programming of multifunction or « millturn » machines
- Preserve company machining know-how
- A specialist in 5 axis simultaneous machining
- An expert in 2, 3, 4 and 5 axes positioned
- Integrated and complete simulation
- Personalized and high-performance post-processors developed with machine tool manufacturers
- Powerful CAD interfaces
- High performance external data recovery

THE INTEGRATED
CAD/CAM/ERP SOLUTION

A complete CAM solution with TopSolid'Cam 2010

TopSolid'Cam is recognised today as a CAD/CAM software leader thanks to its ability to manage 2 axes milling, 3 axis milling, 4 & 5 axis continued milling, 4 & 5 axis continued turning, synchronization and complex simulation.

Discover here what's new in TopSolid'Cam 2010:

Management of symmetrical parts

- > In 1 click the left-hand part program can be obtained from the right-hand program while maintaining optimum machining conditions (climbing or conventional cutting, approach and retract modes, etc.)

Changing cutting conditions

- > The modification, in 1 click, of the cutting conditions of several operations, notably rotation speeds and advance speeds, without having to edit the cutting operations
- > Cutting condition changes can be carried out by an operator who is not familiar with using TopSolid'Cam

Multi-core processor management

- > The distribution of complex calculations over several cores offers significant time gains in 3 and 5 axis operations. (in the region of 50-75% depending on the number of cores)

Advanced and improved simulation

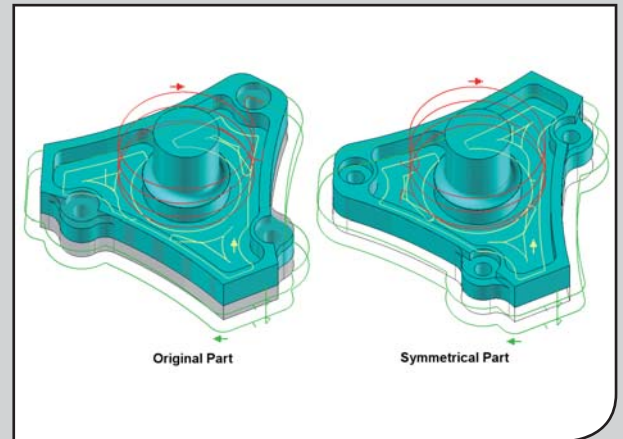
- > Improved management of swiss turning machines
- > The possibility to navigate backwards, forwards and fast-forward in operations

Swarf machining (5 axis)

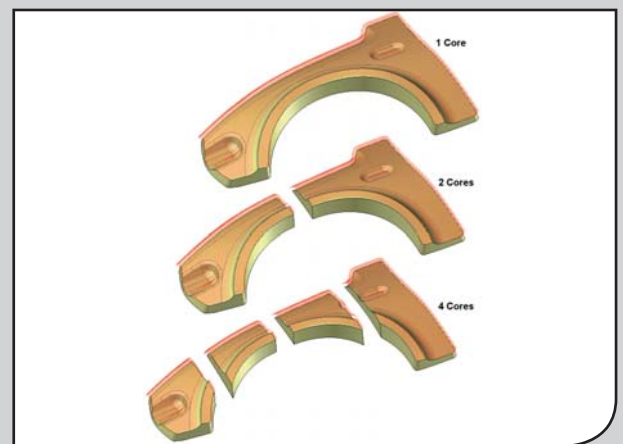
- > A new algorithm allows toolpaths to be minimized/maximized when swarf machining on ruled but not developable surfaces

Data recovery

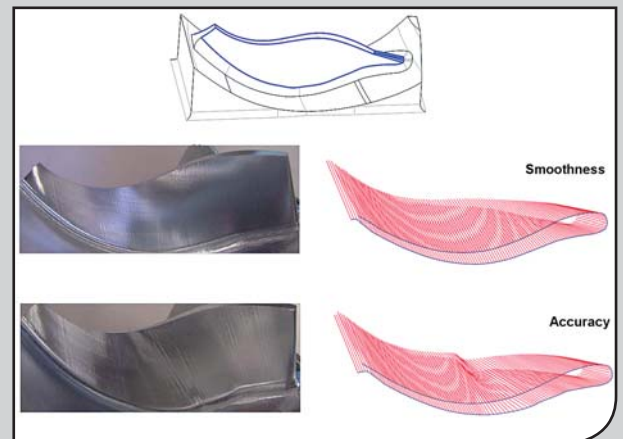
- > Recuperate features and PMIs (Product Manufacturing Information) from all major CAD solutions



The management of symmetrical parts with TopSolid'Cam 2010.



The management of multi-core processors offers time gains in the region of 50-75%.



Improved swarf machining with TopSolid'Cam 2010.

www.topsolid.com

THE INTEGRATED
CAD/CAM/ERP SOLUTION